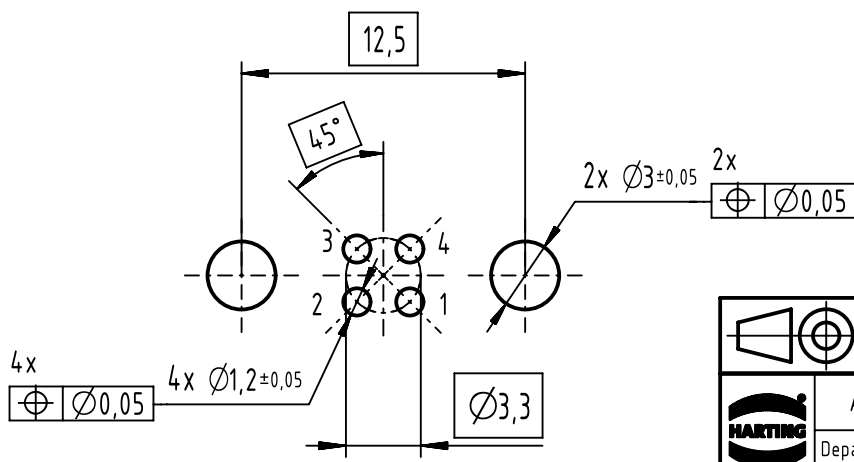
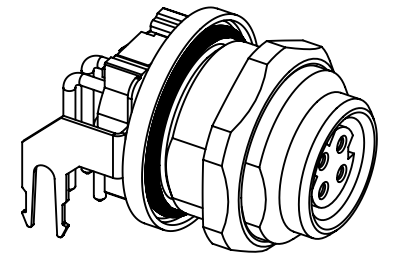
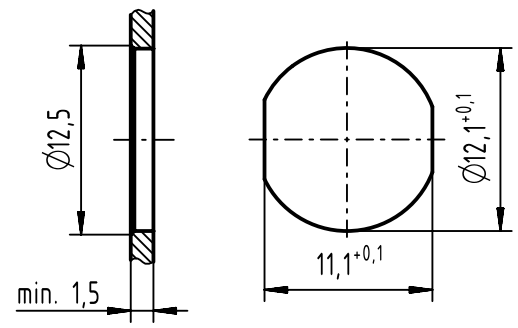


PCB layout (3:1)



panel cut out (for M12x1)



- 1pcs. package
recommended PCB thickness: 1,6mm

	All Dimensions in mm Original Size DIN A4		Scale 2:1	Free size tol.	Ref.
			Created by EISFELD	Inspected by WELLMANN	Standardisation 302077
All rights reserved		Date 2021-07-06		State Final Release	
Department EL PD		Title M8-PCB-THT-2PC-4P-DCOD-F-ANG-SHLD			Doc-Key / ECM-Nr. 100766828/UGD/000/C 500000198788
HARTING D-32339 Espelkamp		Type TB	Number 21420000019		Rev. C Page 1/1